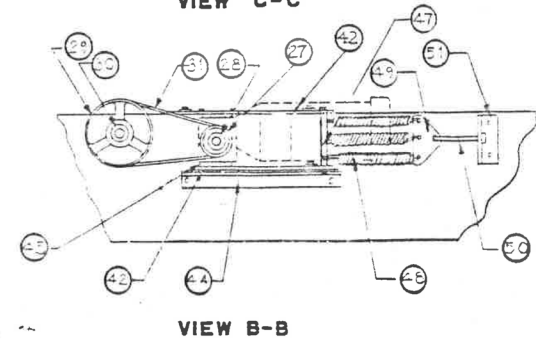
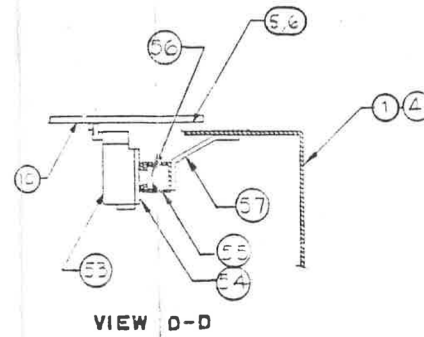
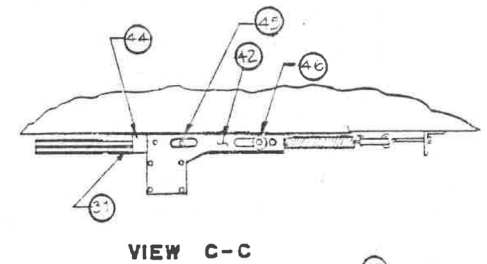
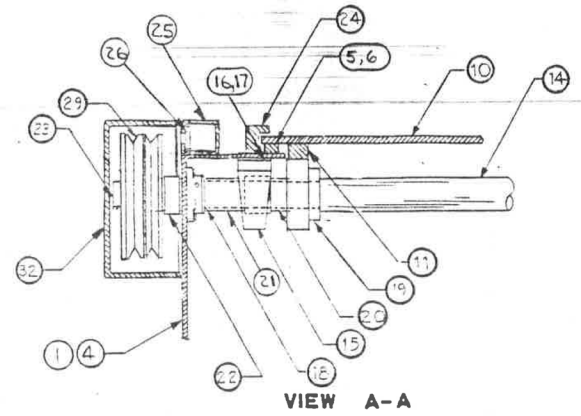


**HSP-6
STRIPPER PLATE
ASSEMBLY
20195**

NOTES:
1. WHEN ORDERING REPLACEMENT PARTS SPECIFY BY PART NUMBER FROM LIST OF MATERIAL.



HSP-6
STRIPPER PLATE ASSY
DRAWN: [] DATE: [] DWG. NO. 20195
MATERIAL: [] SCALE: []
CURRIE MACHINERY COMPANY
SANTA CLARA, CALIFORNIA



Quote

Remit To:
Brenton, LLC
PO Box 73025
Cleveland, OH 44193

Estimate: ESP4101852
Customer Quote: HSP-6 StripperDrw20195
QuoteDate: 2022-06-10
Expiration Date: 2022-07-10
Customer Currency: USD
Terms: NET 30 DAYS

Customer: C000448
Brenton, LLC
4750 County Road 13 NE
Alexandria MN 56308
UNITED STATES

Ship To: 0
Brenton, LLC
4750 County Road 13 NE
Alexandria MN 56308
UNITED STATES

Salesperson: Cindy Trousil
Email: cindy.trousil@promachbuilt.com
Phone: 320-852-8228

Customer Contact:
Email:
Phone: (320)852-7705

Line	Item	Quantity	UM	Unit Price	Total Amount
1	Item: 20069.1PT CI: HSP-6 STRIPPER PLATE FRAME PANEL SIDE PART NUMBER ON PRINT 1	Ordered: 1 On Hand: 0 Est. Ship: 2022-07-12	EA	0.00	0.00
2	Item: 20069.2PT CI: HSP-6 STRIPPER PLATE FRAME PANEL SIDE PART NUMBER ON PRINT 2	Ordered: 1 On Hand: 0 Est. Ship: 2022-07-12	EA	0.00	0.00
3	Item: 20069.3PT CI: TOP SECTION FRAME PART NUMBER ON PRINT 3	Ordered: 1 On Hand: 0 Est. Ship: 2022-07-12	EA	0.00	0.00
4	Item: 20069.4PT CI: TOP SECTION FRAME PART NUMBER ON PRINT 4	Ordered: 1 On Hand: 0 Est. Ship: 2022-07-12	EA	0.00	0.00
5	Item: 14175NO CI: STRIPPER PLATE RUNNER PART NUMBER ON PRINT 5	Ordered: 4 On Hand: 12 Est. Ship: 2022-07-12	EA	0.00	0.00
6	Item: 14176NO CI: STRIPPER PLATE RUNNER "B" PART NUMBER ON PRINT 6	Ordered: 2 On Hand: 7 Est. Ship: 2022-07-12	EA	0.00	0.00



Quote

Remit To:
Brenton, LLC
PO Box 73025
Cleveland, OH 44193

Estimate: ESP4101852
Customer Quote: HSP-6 StripperDrw20195
QuoteDate: 2022-06-10
Expiration Date: 2022-07-10
Customer Currency: USD
Terms: NET 30 DAYS

Line	Item	Quantity	UM	Unit Price	Total Amount
7	Item: 19953PT CI: TOP SECTION BACK CROSS MEMBER PART NUMBER ON PRINT 7	Ordered: 1 On Hand: 0 Est. Ship: 2022-07-12	EA Lead Time: 32 Days	0.00	0.00
8	Item: 19963PT CI: STD. REAR LEG (HSP-6) PART NUMBER ON PRINT 8	Ordered: 2 On Hand: 0 Est. Ship: 2022-07-12	EA Lead Time: 32 Days	0.00	0.00
9	Item: 19964PT CI: REAR LEG FOOT HSP-6 PART NUMBER ON PRINT 9	Ordered: 2 On Hand: 0 Est. Ship: 2022-07-12	EA Lead Time: 32 Days	0.00	0.00
10	Item: 13016NO CI: STRIPPER PLATE PART NUMBER ON PRINT 10	Ordered: 1 On Hand: 0 Est. Ship: 2022-07-12	EA Lead Time: 32 Days	0.00	0.00
11	Item: 12736NO CI: STRIPPER PLATE GEAR RACK	Ordered: 2 On Hand: 0 Est. Ship: 2022-07-12	EA Lead Time: 32 Days	0.00	0.00
12	Item: 19927LEN CI: STRIPPER PLATE DRIVE SHAFT PART NUMBER ON PRINT 14	Ordered: 1 On Hand: 0 Est. Ship: 2022-07-12	EA Lead Time: 32 Days	0.00	0.00
13	Item: 704445 CI: PB 1.25 SETLOCK GOLDLINE (CMC 19256) PART NUMBER ON PRINT 15 OLD PART NUMBER 19256	Ordered: 2 On Hand: 0 Est. Ship: 2022-07-12	EA Lead Time: 32 Days	0.00	0.00
14	Item: 16214EN CI: BRG SPACER GEARBOX SLIDE PART NUMBER ON PRINT 16	Ordered: 2 On Hand: 0 Est. Ship: 2022-07-12	EA Lead Time: 32 Days	0.00	0.00



Quote

Remit To:
Brenton, LLC
PO Box 73025
Cleveland, OH 44193

Estimate: ESP4101852
Customer Quote: HSP-6 StripperDrw20195
QuoteDate: 2022-06-10
Expiration Date: 2022-07-10
Customer Currency: USD
Terms: NET 30 DAYS

Line	Item	Quantity	UM	Unit Price	Total Amount
15	Item: 11681NO CI: SHIM **QTY BRK 2** PART NUMBER ON PRINT 17	Ordered: 2 On Hand: 0 Est. Ship: 2022-07-12	EA Lead Time: 32 Days	0.00	0.00
16	Item: 704400 CI: 1.25 FLANGE SET LOCK GOLDLINE PART NUMBER ON PRINT 18 OLD PART NUMBER 19883	Ordered: 1 On Hand: 0 Est. Ship: 2022-07-12	EA Lead Time: 32 Days	0.00	0.00
17	Item: 736393 CI: 1.25" FACE 35 TOOTH SPUR GEAR PART NUMBER ON PRINT 19 OLD PART NUMBER 12741	Ordered: 2 On Hand: 28 Est. Ship: 2022-07-12	EA Lead Time: 32 Days	0.00	0.00
18	Item: 19092NO CI: STRIPPER PLATE GEAR SPACER PART NUMBER ON PRINT 20	Ordered: 2 On Hand: 0 Est. Ship: 2022-07-12	EA Lead Time: 32 Days	0.00	0.00
19	Item: 19954NO CI: STRIPPER PLATE BEARING SPACER PART NUMBER ON PRINT 21	Ordered: 1 On Hand: 0 Est. Ship: 2022-07-12	EA Lead Time: 32 Days	0.00	0.00
20	Item: 19955NO CI: STRIPPER PLATE DRIVEN PULLEY SPACER PART NUMBER ON PRINT 22	Ordered: 1 On Hand: 0 Est. Ship: 2022-07-12	EA Lead Time: 32 Days	0.00	0.00
21	Item: 19085NO CI: STRIPPER PLATE DRIVE SHAFT CAP PART NUMBER ON PRINT 23	Ordered: 2 On Hand: 0 Est. Ship: 2022-07-12	EA Lead Time: 32 Days	0.00	0.00
22	Item: 19994NO CI: STRIPPER PLATE HOLD DOWN	Ordered: 2 On Hand: 0 Est. Ship: 2022-07-12	EA Lead Time: 32 Days	0.00	0.00



Quote

Remit To:
Brenton, LLC
PO Box 73025
Cleveland, OH 44193

Estimate: ESP4101852
Customer Quote: HSP-6 StripperDrw20195
QuoteDate: 2022-06-10
Expiration Date: 2022-07-10
Customer Currency: USD
Terms: NET 30 DAYS

Line	Item	Quantity	UM	Unit Price	Total Amount
	PART NUMBER ON PRINT 24				
23	Item: 21303NO CI: UNISTRUT	Ordered: 1 On Hand: 0 Est. Ship: 2022-07-12	EA	0.00 Lead Time: 32 Days	0.00
	PART NUMBER ON PRINT 25				
24	Item: 19238NO CI: UNISTRUT NUT PLATE	Ordered: 2 On Hand: 0 Est. Ship: 2022-07-12	EA	0.00 Lead Time: 32 Days	0.00
	PART NUMBER ON PRINT 26				
25	Item: MISC FAB PART CI: 21423 PLATE MOTOR PULLEY	Ordered: 1 On Hand: 0 Est. Ship: 2022-07-12	EA	0.00 Lead Time: 32 Days	0.00
	PART NUMBER ON PRINT 27				
26	Item: 725147 CI: PULLEY C.I. FHP SHEAVE	Ordered: 1 On Hand: 0 Est. Ship: 2022-07-12	EA	0.00 Lead Time: 32 Days	0.00
	PART NUMBER ON PRINT 29				
	OLD PART NUMBER 12482				
27	Item: 094436 CI: 1610 X 1.25 TAPER LOCK BUSHING	Ordered: 1 On Hand: 3 Est. Ship: 2022-07-12	EA	0.00 Lead Time: 32 Days	0.00
	PART NUMBER ON PRINT 30				
	OLD PART NUMBER 14406				
28	Item: 725148 CI: DURAPOWVER TRUFLEX V-BELT	Ordered: 2 On Hand: 0 Est. Ship: 2022-07-12	EA	0.00 Lead Time: 32 Days	0.00
	PART NUMBER ON PRNT 31				
	OLD PART NUMBER 31				
29	Item: MISC FAB PART CI: 21301-1 STRIPPER PLATE COVER	Ordered: 1 On Hand: 0 Est. Ship: 2022-07-12	EA	0.00 Lead Time: 32 Days	0.00
	PART NUMBER ON PRINT 32				



Quote

Remit To:
Brenton, LLC
PO Box 73025
Cleveland, OH 44193

Estimate: ESP4101852
Customer Quote: HSP-6 StripperDrw20195
QuoteDate: 2022-06-10
Expiration Date: 2022-07-10
Customer Currency: USD
Terms: NET 30 DAYS

Line	Item	Quantity	UM	Unit Price	Total Amount
30	Item: 21301-2PT CI: STRIPPER PLATE DRIVE COVER PART NUMBER ON PRINT 33	Ordered: 1 On Hand: 0	EA Lead Time: 32 Days	0.00	0.00
31	Item: 19181NO CI: MOTOR DRIVE ASSY PART NUMBER ON PRINT 34	Ordered: 1 On Hand: 0	EA Lead Time: 32 Days	0.00	0.00
32	Item: 725047 CI: MOTOR, 1.34 HP *NEW QUOTE REQUIRED* PART NUMBER ON PRINT 35 OLD PART NUMBER 18510	Ordered: 1 On Hand: 2	EA Lead Time: 32 Days	0.00	0.00
33	Item: 19177NO CI: BOSTON GEARBOX PART NUMBER ON PRINT 36	Ordered: 1 On Hand: 0	EA Lead Time: 32 Days	0.00	0.00
34	Item: 18708AB CI: ADAPTER-DEMAG 1.35 TP BOSTON PART NUMBER ON PRINT 37	Ordered: 1 On Hand: 0	EA Lead Time: 32 Days	0.00	0.00
35	Item: 18722NO CI: DEMAG 1.35 H.P. TO BOSTON 318 BOX COUPLI PART NUMBER ON PRINT 38	Ordered: 1 On Hand: 0	EA Lead Time: 32 Days	0.00	0.00
36	Item: 19178NO CI: DEMAG MOTOR SPACER PART NUMBER ON PRINT 39	Ordered: 1 On Hand: 10	EA Lead Time: 32 Days	0.00	0.00
37	Item: 18721NO CI: SPCR-DEMAG BOA4-BOSTON 318 PART NUMBER ON PRINT 40	Ordered: 1 On Hand: 0	EA Lead Time: 32 Days	0.00	0.00



Quote

Remit To:
Brenton, LLC
PO Box 73025
Cleveland, OH 44193

Estimate: ESP4101852
Customer Quote: HSP-6 StripperDrw20195
QuoteDate: 2022-06-10
Expiration Date: 2022-07-10
Customer Currency: USD
Terms: NET 30 DAYS

Line	Item	Quantity	UM	Unit Price	Total Amount
38	Item: 12432NO CI: BOTTOM MOTOR MOUNT / STRIPPER PLATE PART NUMBER ON PRINT 42	Ordered: 2 On Hand: 0 Est. Ship: 2022-07-12	EA Lead Time: 32 Days	0.00	0.00
39	Item: 14748NO CI: TRANSFER PLATE SPACER-TO -CONVEYOR PART NUMBER ON PRINT 43	Ordered: 4 On Hand: 0 Est. Ship: 2022-07-12	EA Lead Time: 32 Days	0.00	0.00
40	Item: 19960PT CI: STRIPPER PLATE MOTOR MOUNT ANGLE PART NUMBER ON PRINT 44	Ordered: 2 On Hand: 0 Est. Ship: 2022-07-12	EA Lead Time: 32 Days	0.00	0.00
41	Item: 12357NO CI: MOTOR MOUNT SPACERS PART NUMBER ON PRINT 45	Ordered: 4 On Hand: 0 Est. Ship: 2022-07-12	EA Lead Time: 32 Days	0.00	0.00
42	Item: MISC FAB PART CI: 6181 STRIPPER PTL MOTOR SLIDE WASHER PART NUMBER ON PRINT 46	Ordered: 4 On Hand: 0 Est. Ship: 2022-07-12	EA Lead Time: 32 Days	0.00	0.00
43	Item: 19928NO CI: STRIPPER PLATE BELT TENSION BAR PART NUMBER ON PRINT 47	Ordered: 1 On Hand: 0 Est. Ship: 2022-07-12	EA Lead Time: 32 Days	0.00	0.00
44	Item: 3084NO CI: SPRING PART NUMBER ON PRINT 48	Ordered: 3 On Hand: 0 Est. Ship: 2022-07-12	EA Lead Time: 32 Days	0.00	0.00
45	Item: 15758NO CI: TENSION SPRG. MTG. PLATE PART NUMBER ON PRINT 49	Ordered: 1 On Hand: 0 Est. Ship: 2022-07-12	EA Lead Time: 32 Days	0.00	0.00



Quote

Remit To:
Brenton, LLC
PO Box 73025
Cleveland, OH 44193

Estimate: ESP4101852
Customer Quote: HSP-6 StripperDrw20195
QuoteDate: 2022-06-10
Expiration Date: 2022-07-10
Customer Currency: USD
Terms: NET 30 DAYS

Line	Item	Quantity	UM	Unit Price	Total Amount
46	Item: 725221 CI: TURNED EYE BOLT 3/8-16 UNC X 4.25 LG ZIN PART NUMBER ON PRINT 50 OLD PART NUMBER 13151	Ordered: 1 On Hand: 0 Est. Ship: 2022-07-12	EA Lead Time: 32 Days	0.00	0.00
47	Item: 19939PT CI: SPRING TENSION ANGLE PART NUMBER ON PRINT 51	Ordered: 1 On Hand: 0 Est. Ship: 2022-07-12	EA Lead Time: 32 Days	0.00	0.00
48	Item: 25086NO CI: EYE BOLT EXTENSION PART NUMBER ON PRINT 52	Ordered: 1 On Hand: 0 Est. Ship: 2022-07-12	EA Lead Time: 32 Days	0.00	0.00
49	Item: 724998 CI: SENS LIMIT SWITCH PART NUMBER ON PRINT 53 OLD PART NUMBER 12108	Ordered: 2 On Hand: 0 Est. Ship: 2022-07-12	EA Lead Time: 32 Days	0.00	0.00
50	Item: 14215PT CI: LS PLATE PART NUMBER ON PRINT 54	Ordered: 2 On Hand: 0 Est. Ship: 2022-07-12	EA Lead Time: 32 Days	0.00	0.00
51	Item: 20665PT CI: LIMIT SWITCH MOUNT CHANNEL PART NUMBER ON PRINT 55	Ordered: 1 On Hand: 0 Est. Ship: 2022-07-12	EA Lead Time: 32 Days	0.00	0.00
52	Item: 12425NO CI: PHOTOCELL SCREW MOUNT PART NUMBER ON PRINT 56	Ordered: 2 On Hand: 0 Est. Ship: 2022-07-12	EA Lead Time: 32 Days	0.00	0.00
53	Item: 20663PT CI: UNISTRUT MOUNT BRACKET	Ordered: 2 On Hand: 0 Est. Ship: 2022-07-12	EA Lead Time: 32 Days	0.00	0.00



Quote

Remit To:
Brenton, LLC
PO Box 73025
Cleveland, OH 44193

Estimate: ESP4101852
Customer Quote: HSP-6 StripperDrw20195
QuoteDate: 2022-06-10
Expiration Date: 2022-07-10
Customer Currency: USD
Terms: NET 30 DAYS

Line	Item	Quantity	UM	Unit Price	Total Amount
	PART NUMBER ON PRINT 57				
54	Item: MISC FAB PART	Ordered: 1	EA	0.00	0.00
	CI:	On Hand: 0	Lead Time: 32 Days		
	204585 LIMIT SWITCH 9 ASSEMBLY	Est. Ship: 2022-07-12			
	PART NUMBER ON PRINT 59				

Sale Amount:	0.00
Surcharge:	N/A
Sales Tax:	0.00
Misc Charges:	0.00
Total Amount:	0.00

MATERIAL

CURRIE MACHINERY COMPANY

TITLE HSP-6
STRIPPER PLATE
ESP410852

ASS'Y NO. *116*
20195
1-28-85
SHEET 1 OF 3

ITEM NO.	PART NO.	DESCRIPTION	USED ON			
			402			
1	20069.1	TOP SECTION FRAME				
2	20069.2	" " "				
3	20069.3	" " "	1			
4	20069.4	" " "	1			
5	14175	" " SLIDE "A"	4	4		
6	14176	" " " "B"	2	2		
7	19953	TOP SECTION BACK CROSS. MEMBER	1			
8	19963	REAR LEG <i>STD</i>	2			
9	19964	" " FOOT	2			
10	13016	STRIPPER PLATE	1			
11	12736	" " GEAR RACK	2	2		
12	21253	REAR LEG ASSEMBLY	2	2		
13	21284	LEG CONTACT COVER	1	1		
14	19927	STRIPPER PLATE DRIVE SHAFT	1	1		
15	19256	" " SHAFT BEARING	2	2		
16	16214	" " BEARING SPACER	2	2		
17	11681	" " " SHIM	2	2		
18	19883	" " SHAFT END BEARING	1	1		
19	12741	" " GEAR	2	2		
20	19092	" " " SPACER	2	2		
21	19954	" " BEARING SPACER	1	1		
22	19955	" " PULLY "	1	1		

FOR CLEAN DESIGN
LEGS SEE
ITEMS 12&13

LIST
OF
MATERIAL

CURRIE MACHINERY COMPANY

TITLE HSP-6
STRIPPER PLATE

ASS'Y NO.
20195

1-28-66
SHEET 2 OF 3

ITEM NO.	PART NO.	DESCRIPTION	USED ON			
			402 F. CONF.			
23	19085	STRIPPER PLATE SHAFT CAP	2			
24	19994	" " HOLD DOWN	2			
25	21303	" " DRIVE COVER UNISTRUT	1		(REF 32 & 33)	
26	19238	UNISTRUT NUT PLATE	2			
27	21423	STRIPPER PLATE MOTOR PULLEY	1			
28						
29	12482	" " DRIVEN PULLEY	1			
30	14406	" " " " BUSHING	1			
31	14052	" " DRIVE BELT	2			
32	21301-1	" " " COVER				
33	21302-2	" " " COVER	1			
34	19181	STRIPPER PLATE MOTOR ASS'Y	1			
35	18510	MOTOR	REF.	REF.		
36	19177	REDUCER	REF.	REF.		
37	18708	'C' FACE FLANGE ADAPTER	REF.	REF.		
38	18722	COUPLING	REF.	REF.		
39	19178	SPACER	REF.	REF.		
40	18721	SPACER	REF.	REF.		
41						
42	12432	STRIPPER PLATE MOTOR MOUNT	2			
43	14748	" " " " SPACER	4			
44	19960	" " " ANGLES	2			

LIST OF MATERIAL	CURRIE MACHINERY COMPANY	
	TITLE H5P-6	ASSY NO. 20195
	STRIPPER PLATE	<small>1-28-86</small> SHEET <u>3</u> OF <u>3</u>

ITEM NO.	PART NO.	DESCRIPTION		USED ON				
45	12357	STRIPPER PLT.MOTOR SLIDE SPACERS	4					
46	6181	" " " " WASHERS	4					
47	19928	" " BELT TENSION BAR	1					
48	3084	" " " " SPRING	3					
49	15758	" " " " SPRING PLATE	1					
50	13151	" " " " EYE BOLT	1					
51	19939	" " " " ANGLE	1					
52	25086	" " " " EYE BOLT EXTENSION	1					
53	12108	LIMIT SWITCH	2					
54	14215	LIMIT SWITCH PLATE	2					
55	20665	" " MOUNT UNISTRUT	1					
56	12425	" " SCREW MOUNT	2					
57	20663	" " UNISTRUT BRACKET	2					
58								
59	20485	LIMIT SWITCH #9 ASSEMBLY	1					
60	26589	WIREWAY MOUNT	3					
61	20685	CROSS MEMBER	1					
62	20683	STOP ANGLE	2					
63	21409	12" WIREWAY ←	1					
64	21410	24" WIREWAY	1					
65	21411	120" WIREWAY	1					
66	21412	90° WIREWAY ELBOW	1					

NOT SHOWN